

*Fisher & Paykel*

**Refrigerator/Freezer**

RF201ADUSX4 FP US

*Product Code: 24206-A*

**Parts Manual**

|                      |                   |
|----------------------|-------------------|
| <b>Brand:</b>        | Fisher & Paykel   |
| <b>Voltage:</b>      | 110-120V, 60Hz    |
| <b>Model:</b>        | RF201ADUSX4 FP US |
| <b>Product Code:</b> | 24206-A           |

### Models

- The model covered by this manual is listed on the front cover.
- The information detailed in this manual is subject to change without notice. The latest version is indicated by the reprint date and replaces any earlier editions.

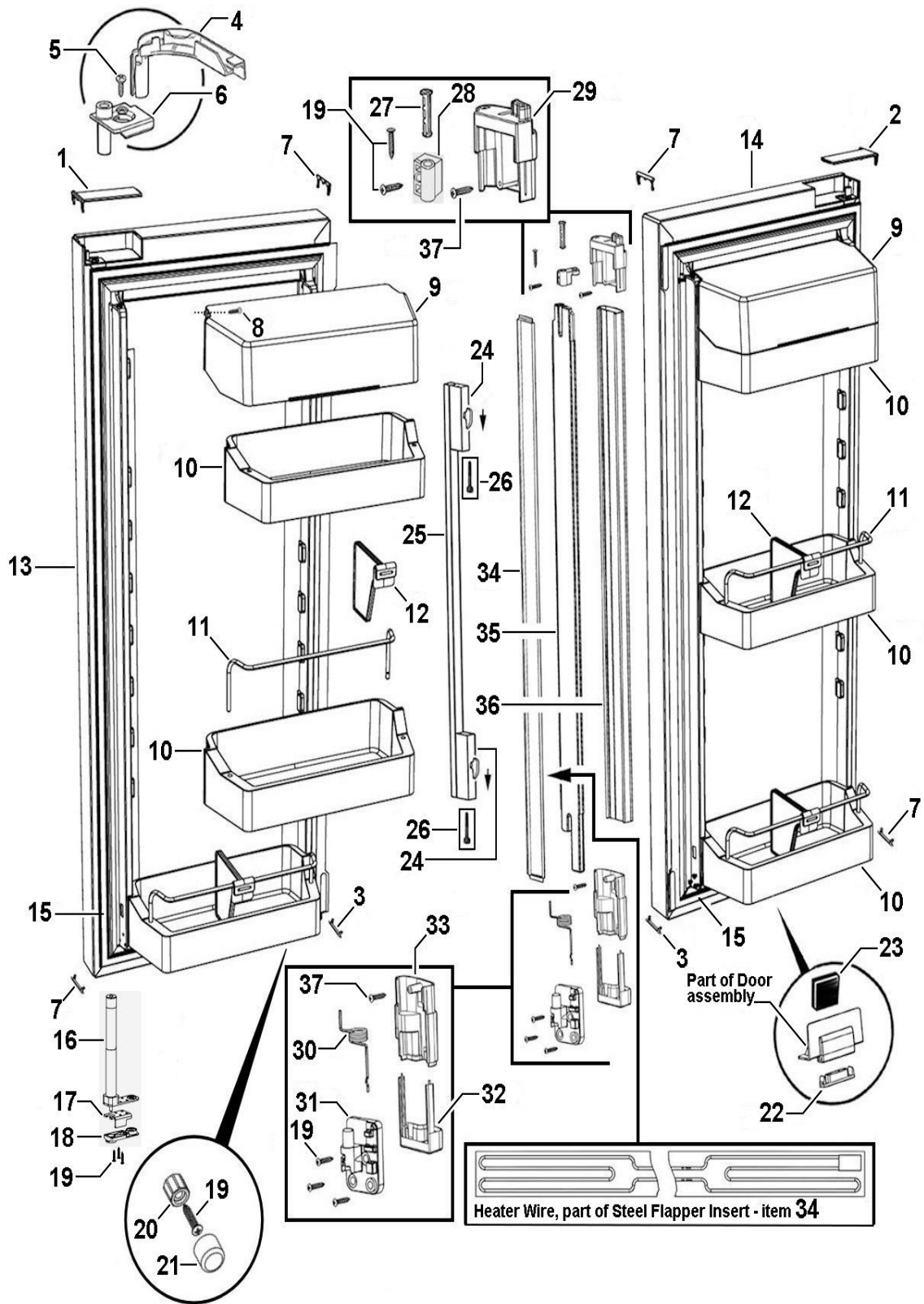
### Kit Parts

Kit components are shown in *italics*. Where a part number is shown against the descriptions for these kit components, they are also available as separate items. In addition, some parts may be supplied with these kits that are not available as separate items, and are therefore either not listed, or a part number is not shown against the part description in this manual.

### Parts List Key

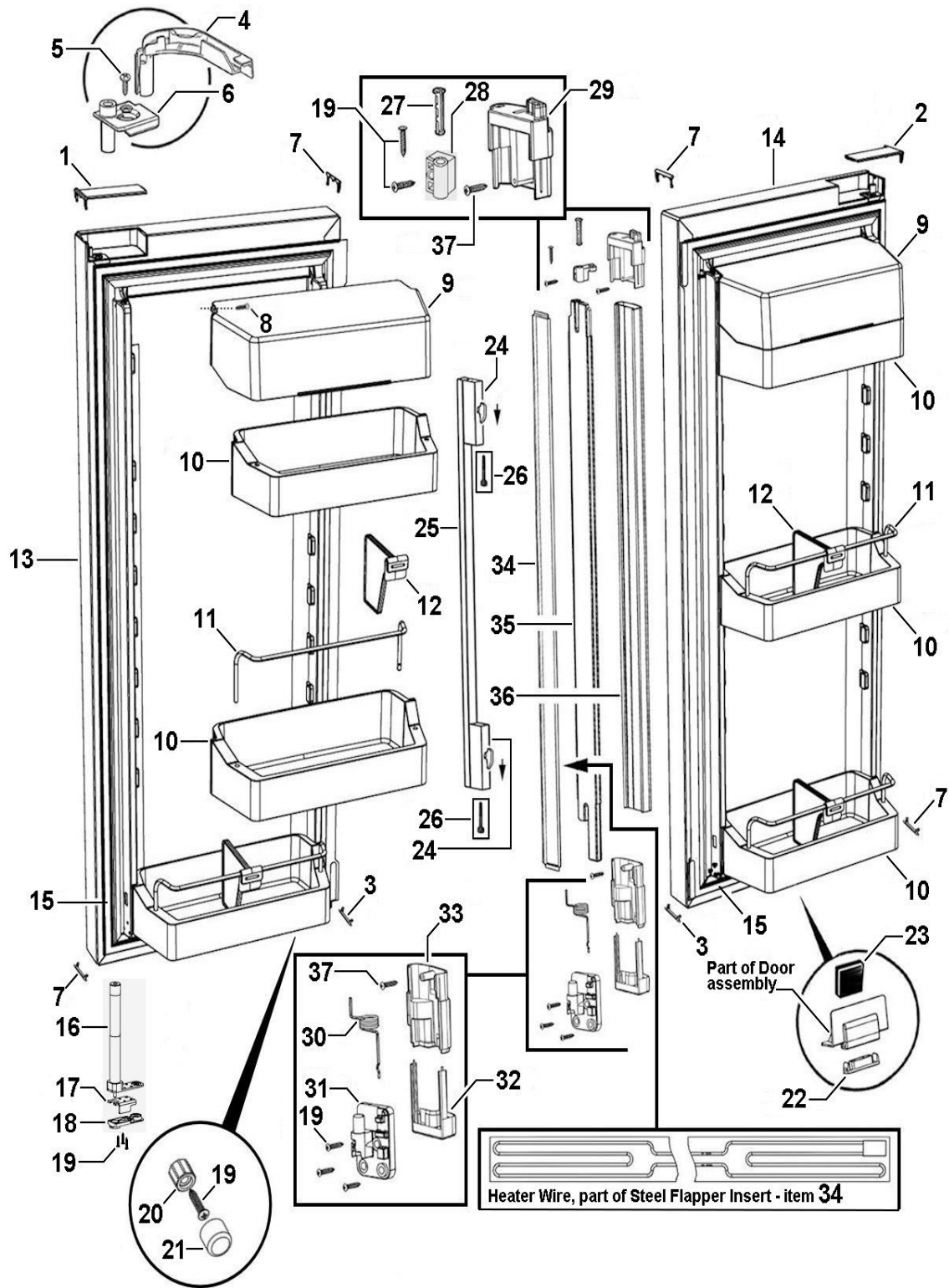
|                |   |
|----------------|---|
| <i>italics</i> | Kit components or parts included are shown in italics. Refer to above notes: Kit Parts. |
| NI             | As a part reference, indicates the part is not illustrated on the diagram.              |
| NOT USED       | As a part number, indicates the diagram part reference is not used in this manual.      |

4 PC DOOR & COMPONENTS



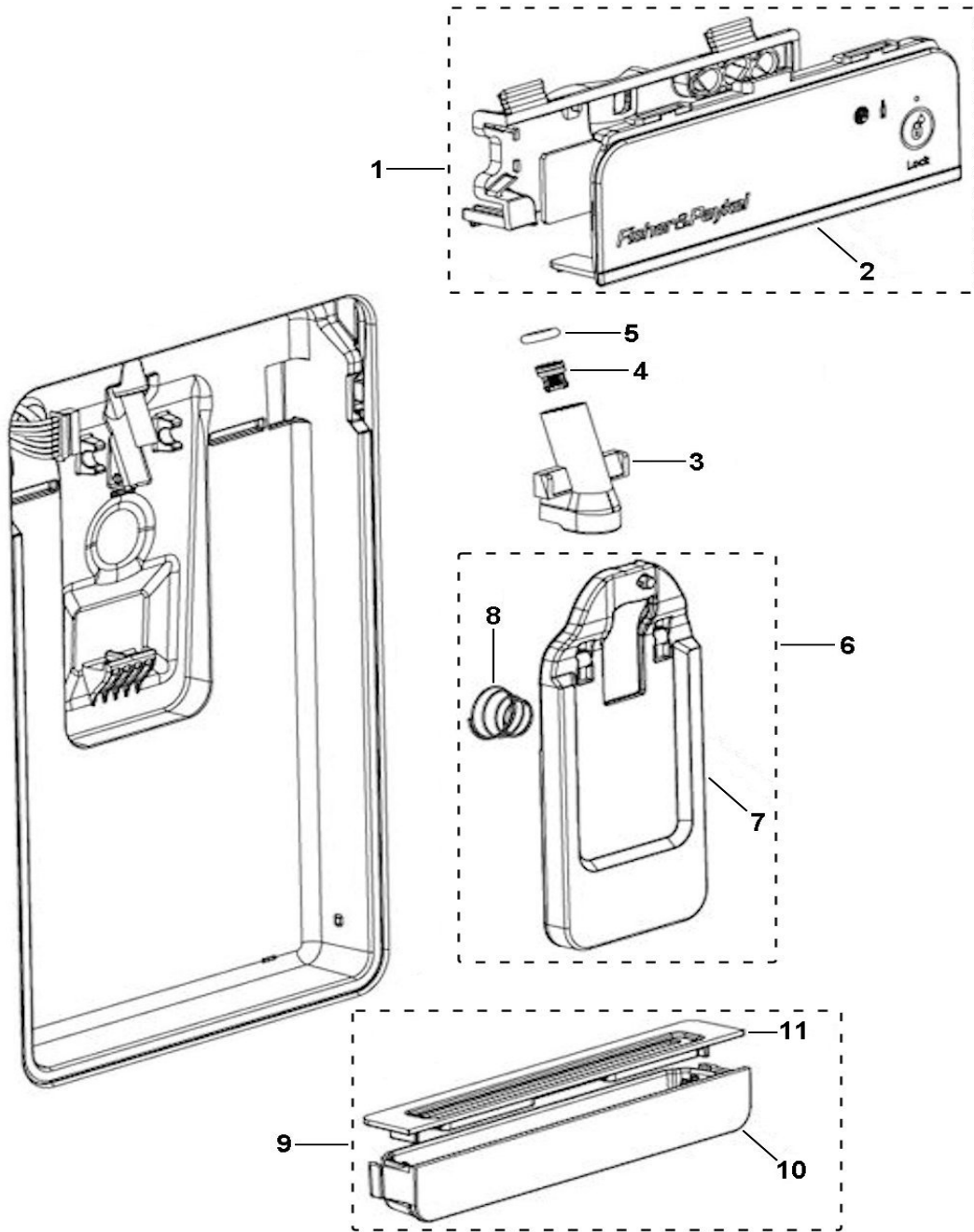
| REF. | PART NUMBER            | PART DESCRIPTION                     |
|------|------------------------|--------------------------------------|
| 1    | 820801                 | COVER DOOR HINGE RH                  |
| 2    | 820957                 | COVER DOOR HINGE LH                  |
| 3    | 813926                 | TRIM CORNER DOOR FLAT                |
| 4    | 820715                 | GUIDE TUBE DOOR RH                   |
|      | 820862                 | GUIDE TUBE DOOR LH                   |
| 5    | 836948P                | SCREW 6X1/2 PAN PH SS (PKT 10)       |
| 6    | 820845                 | BEARING HINGE WATER RH               |
|      | 820958                 | BEARING HINGE WATER LH               |
| 7    | 860419                 | TRIM DOOR DESIGNER X                 |
| 8    | 876281P                | PLUG DOOR SHELF WHITE (PKT 2)        |
| 9    | 837036                 | COVER DAIRY 900                      |
| 10   | 836993                 | SHELF DOOR 900                       |
| 11   | 818860                 | RAIL BOTTLE SUPPORT 900              |
| 12   | 837079                 | DIVIDER BOTTLE 900                   |
| 13   | 821965P                | DOOR PC 445X1130 FU4AS SX RH         |
|      | <i>Includes 813926</i> | <i>TRIM CORNER DOOR FLAT (2)</i>     |
|      | <i>Includes 860419</i> | <i>TRIM DOOR DESIGNER X</i>          |
|      | <i>Includes 883315</i> | <i>MAGNET DOOR SWITCH ST4</i>        |
|      | <i>Includes 820845</i> | <i>BEARING HINGE WATER RH</i>        |
|      | <i>Includes 813928</i> | <i>COVER MAGNET DOOR FLAT</i>        |
|      | <i>Includes 820801</i> | <i>COVER DOOR HINGE RH</i>           |
| 14   | 821966P                | DOOR PC 445X1130 FAS SX LH           |
|      | <i>Includes 813926</i> | <i>TRIM CORNER DOOR FLAT (2)</i>     |
|      | <i>Includes 860419</i> | <i>TRIM DOOR DESIGNER X</i>          |
|      | <i>Includes 883315</i> | <i>MAGNET DOOR SWITCH ST4</i>        |
|      | <i>Includes 820958</i> | <i>BEARING HINGE WATER LH</i>        |
|      | <i>Includes 813928</i> | <i>COVER MAGNET DOOR FLAT</i>        |
|      | <i>Includes 820957</i> | <i>COVER DOOR HINGE LH</i>           |
| 15   | 819036P                | GASKET ASSY 900 PC 430X1073 LTGY     |
| 16   | 821438                 | SOFTCLOSE DOOR IR1 RH                |
|      | 821439                 | SOFTCLOSE DOOR IR1 LH                |
| 17   | 821442                 | STOP DOOR SC RH                      |
|      | 821443                 | STOP DOOR SC LH                      |
| 18   | 821444                 | BEARING DOOR SC                      |
| 19   | 817825P                | SCREW 8X22 WAFER PHIL ST TV (PKT 10) |
| 20   | 837903                 | BOBBIN STOP SOFTCLOSE                |
| 21   | 837904                 | SLEEVE STOP SOFTCLOSE                |
| 22   | 813928                 | COVER MAGNET DOOR FLAT               |
| 23   | 883315                 | MAGNET DOOR SWITCH ST4               |
| 24   | 860795P                | BOSS HANDLE FLAT PKD                 |

6 PC DOOR & COMPONENTS



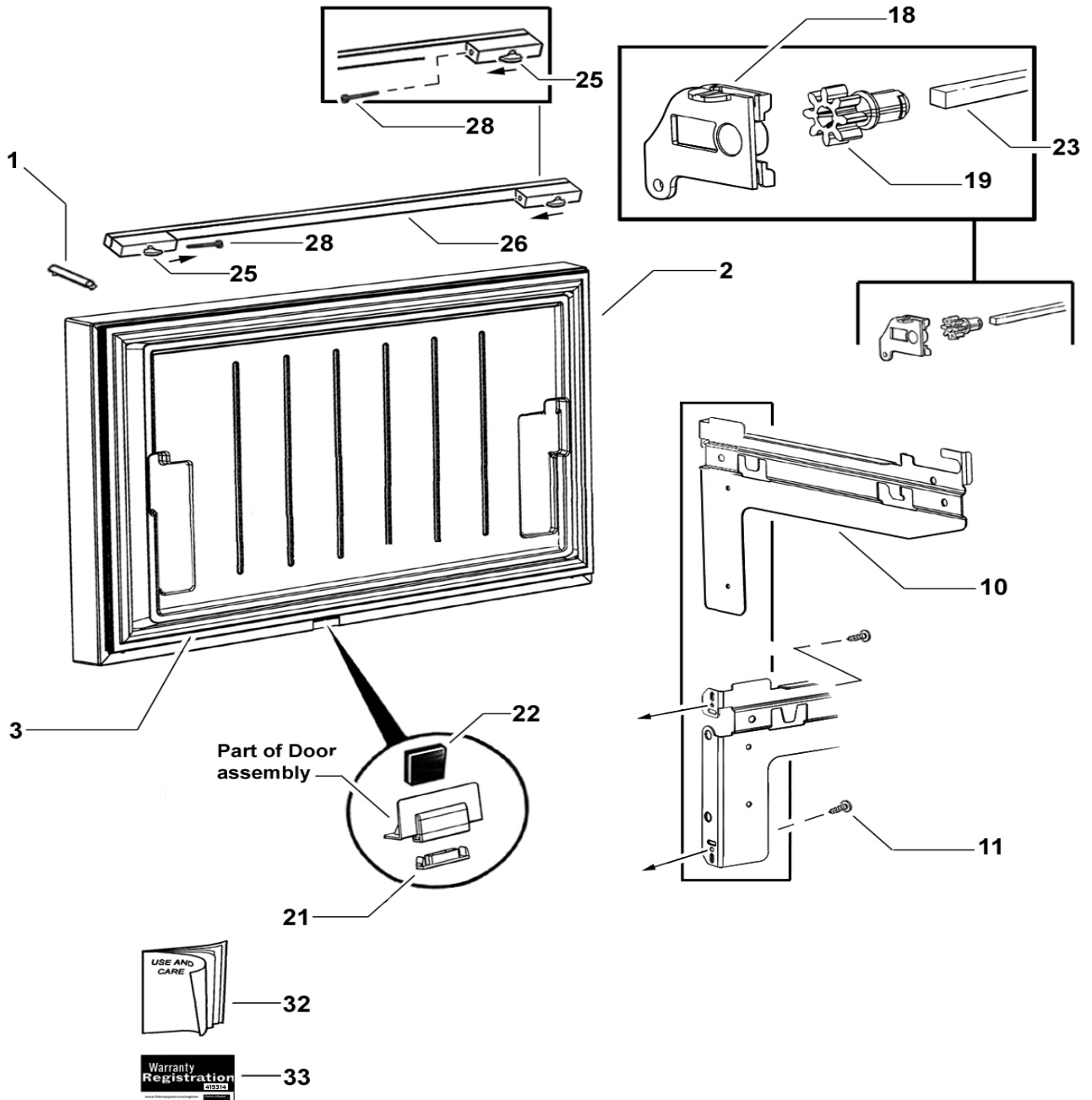
| REF. | PART NUMBER            | PART DESCRIPTION                     |
|------|------------------------|--------------------------------------|
| 25   | 820584                 | HANDLE D3 642 RF ASSY BRUSHED        |
|      | <i>Includes 819646</i> | <i>SCREW M5X40 CAP (2)</i>           |
| 26   | 819646P                | SCREW M5X40 CAP (PKT 10)             |
| 27   | 837014                 | PIN FLAPPER TOP                      |
| 28   | 837039                 | HINGE FLAPPER TOP                    |
| 29   | 837013                 | ENDCAP FLAPPER TOP                   |
| 30   | 837048                 | SPRING FLAPPER                       |
| 31   | 837049                 | HINGE FLAPPER BOTTOM                 |
| 32   | 837050                 | CAP FLAPPER BOTTOM                   |
| 33   | 837038                 | ENDCAP FLAPPER BOTTOM                |
| 34   | 838291P                | INSERT STEEL FLAPPER & HEATER 8W     |
| 35   | 837042                 | INSULATION FLAPPER                   |
| 36   | 837015                 | BODY FLAPPER 900                     |
| 37   | 611933P                | SCREW 8X5/8 TA MTS PH H5 ZN (PKT 10) |

8 WATER DISPENSER HOUSING & DISPLAY MODULE

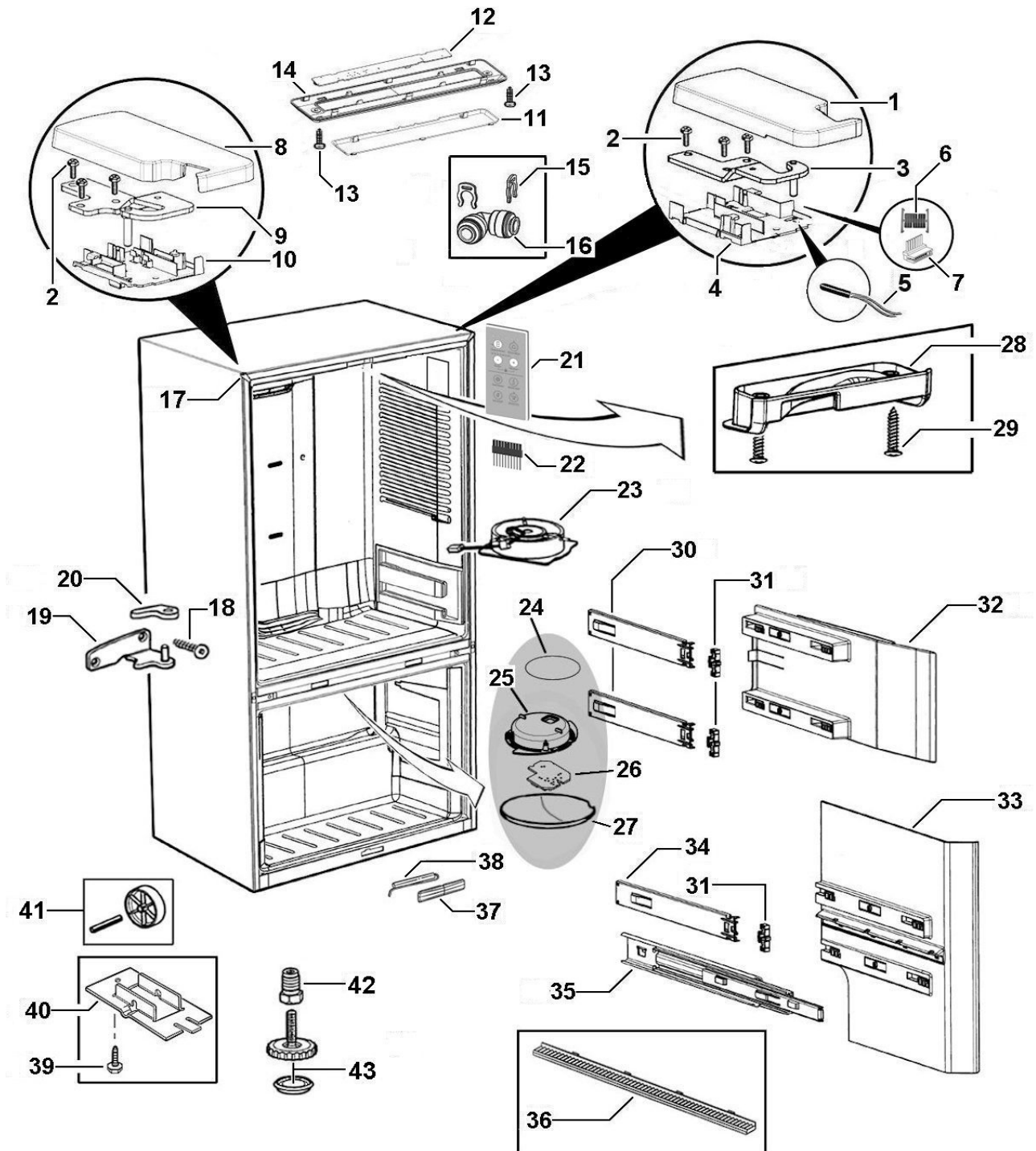


| REF.      | PART NUMBER            | PART DESCRIPTION                      |
|-----------|------------------------|---------------------------------------|
| <b>1</b>  | <b>821509P</b>         | <b>MOD DISP AS U2 EXT SVC</b>         |
|           | <i>Includes 821293</i> | <i>FASICA IML WATER DISPENSER</i>     |
| <b>2</b>  | <b>821293</b>          | <b>FASICA IML WATER DISPENSER</b>     |
| <b>3</b>  | <b>838115</b>          | <b>SPIGOT ASSY WATER DISPENSER</b>    |
|           | <i>Includes 837391</i> | <i>CHECK VALVE SPIGOT WATER</i>       |
|           | <i>Includes 837390</i> | <i>ORING SPIGOT WATER DISPENSER</i>   |
| <b>4</b>  | <b>837391</b>          | <b>CHECK VALVE SPIGOT WATER</b>       |
| <b>5</b>  | <b>837390</b>          | <b>ORING SPIGOT WATER DISPENSER</b>   |
| <b>6</b>  | <b>838114</b>          | <b>LEVER ASSY WATER DISPENSER</b>     |
|           | <i>Includes 821579</i> | <i>LEVER WATER DISPENSER</i>          |
|           | <i>Includes 821883</i> | <i>SPRING LEVER WATER DISPENSER</i>   |
| <b>7</b>  | <b>821579</b>          | <b>LEVER WATER DISPENSER</b>          |
| <b>8</b>  | <b>821883</b>          | <b>SPRING LEVER WATER DISPENSER</b>   |
| <b>9</b>  | <b>838113</b>          | <b>TRAY DRIP ASSY WATER DISPENSER</b> |
|           | <i>Includes 821582</i> | <i>DRIP TRAY CONTAINER</i>            |
|           | <i>Includes 821583</i> | <i>DRIP TRAY LID</i>                  |
| <b>10</b> | <b>821582</b>          | <b>DRIP TRAY CONTAINER</b>            |
| <b>11</b> | <b>821583</b>          | <b>DRIP TRAY LID</b>                  |

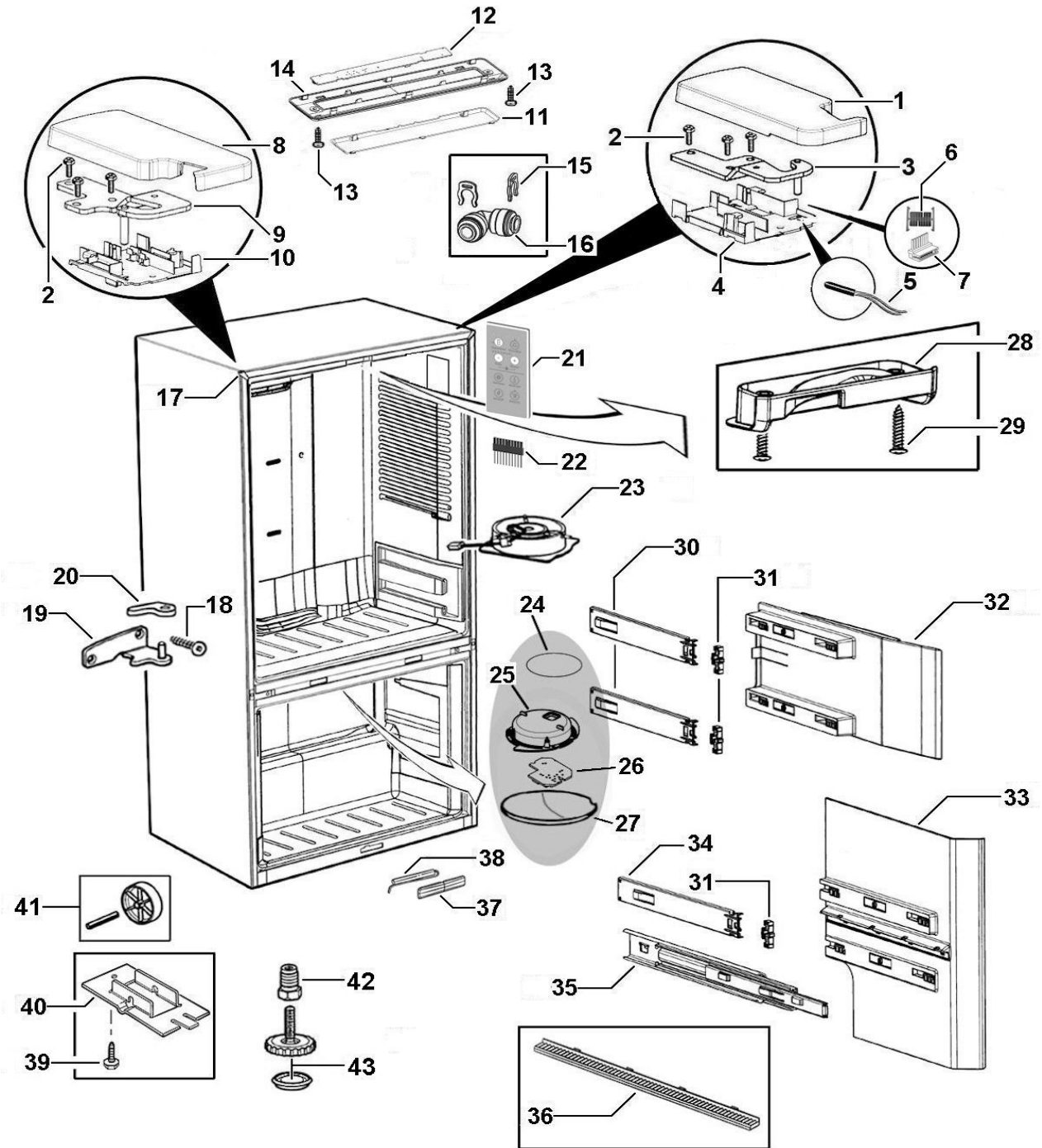




| REF. | PART NUMBER            | PART DESCRIPTION                   |
|------|------------------------|------------------------------------|
| 1    | 813926                 | TRIM CORNER DOOR FLAT              |
| 2    | 374046P                | DRAWER FC 900X613 F SX             |
|      | <i>Includes 813928</i> | <i>COVER MAGNET DOOR FLAT</i>      |
|      | <i>Includes 883315</i> | <i>MAGNET DOOR SWITCH ST4</i>      |
|      | <i>Includes 860795</i> | <i>BOSS HANDLE FLAT (2)</i>        |
| 3    | 819831P                | GASKET FRAME E610 FC               |
| 10   | 837233                 | BRACKET DOOR FC RH                 |
|      | 837234                 | BRACKET DOOR FC LH                 |
| 11   | 817825P                | SCREW 8X22 WAFER PH ST TV (PKT 10) |
| 18   | 837010                 | BRACKET MOUNT PINION FC RH         |
|      | 837011                 | BRACKET MOUNT PINION FC LH         |
| 19   | 838502P                | PINION ANTIRACK FC (2)             |
| 21   | 813928                 | COVER MAGNET DOOR FLAT             |
| 22   | 883315                 | MAGNET DOOR SWITCH ST4             |
| 23   | 837002                 | BAR ANTI RACKING 900 FC            |
| 25   | 860795P                | BOSS HANDLE FLAT PKD               |
| 26   | 820585                 | HANDLE D3 820 RF ASSY BRUSHED      |
|      | <i>Includes 819646</i> | <i>SCREW M5X40 CAP (2)</i>         |
| 28   | 819646P                | SCREW M5X40 CAP (PKT 10)           |
| 32   | 838438                 | BOOKLET USE & CARE US/CA           |
| 33   | NOT USED               | ITEM NOT USED IN THIS MODEL        |

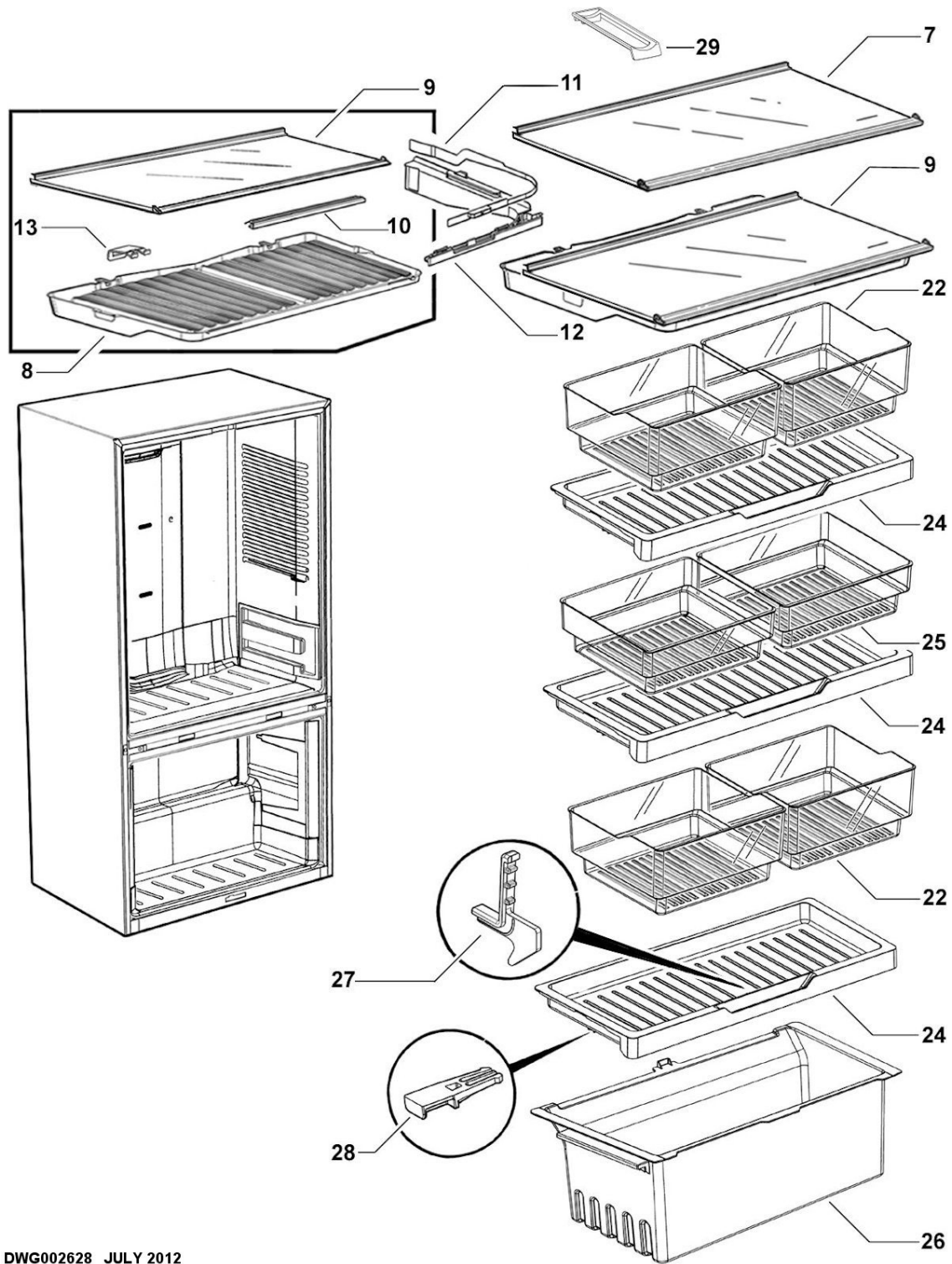


| REF. | PART NUMBER            | PART DESCRIPTION                            |
|------|------------------------|---|
| 1    | 820647                 | <b>COVER HINGE TOP IW RH</b>                |
| 2    | 817818P                | <b>SCREW M5X20 HEX PH ST TV (PKT 10)</b>    |
| 3    | 820652                 | <b>BRACKET HINGE IW RH ASSY</b>             |
| 4    | 821943                 | <b>SUPPORT HINGE TOP RH</b>                 |
| 5    | 855203P                | <b>SENSOR KIT ASSY</b>                      |
|      | <i>Includes</i>        | <i>CONNECTOR BUTT</i>                       |
|      | <i>Includes</i>        | <i>HARNESS SENSOR PC</i>                    |
| 6    | 821917                 | <b>CONNECTOR PCB RAST 8 WAY</b>             |
| 7    | 873279                 | <b>CONNECTOR RAST 7234-008-500</b>          |
| 8    | 820860                 | <b>COVER HINGE TOP IW LH</b>                |
| 9    | 820861                 | <b>BRACKET HINGE IW LH ASSY</b>             |
| 10   | 821944                 | <b>SUPPORT HINGE TOP LH</b>                 |
| 11   | 820737                 | <b>WINDOW LED PC</b>                        |
| 12   | 838548                 | <b>MOD LAMP 3 LED 3W CONN</b>               |
|      | <i>Includes 820736</i> | <i>HOUSING FRONT LED PC</i>                 |
| 13   | 817816P                | <b>SCREW 6 X12 AB TRUSS PH ST TV</b>        |
| 14   | 820736                 | <b>HOUSING FRONT LED PC</b>                 |
| 15   | 837193P                | <b>COLLET LOCKING CLIP PIC1808R (PKT 2)</b> |
| 16   | 837192                 | <b>CONNECTOR WATER ELBOW C 0308W</b>        |
| 17   | 883951                 | <b>TRIM CORNER SILVER RECESSED</b>          |
| 18   | 880656P                | <b>SCREW 10GX25CSK SQ SS (PKT 10)</b>       |
| 19   | 821446                 | <b>BRACKET HINGE SC RH ASSY</b>             |
|      | 821447                 | <b>BRACKET HINGE SC LH ASSY</b>             |
| 20   | NOT USED               | <b>ITEM NOT USED ON THIS MODEL</b>          |
| 21   | 821286P                | <b>MOD DISP AS U2 INT 8 BUT SVC</b>         |
| 22   | 838437                 | <b>HARNESS DISPLAY SPARES</b>               |
| 23   | 821183P                | <b>PC FAN ASSY JST/DUCT</b>                 |
|      | <i>Includes</i>        | <i>DUCT JUNCTION ASSY</i>                   |
|      | <i>Includes</i>        | <i>INSULATION DISPLACEMENT TERMINALS</i>    |
|      | <i>Includes</i>        | <i>CONNECTOR IDC UP2 (2)</i>                |
|      | <i>Includes</i>        | <i>LABEL WARNING 12 VOLT DC</i>             |
|      | <i>Includes</i>        | <i>SHEET INSTRUCTION PC FAN ASSY</i>        |
| 24   | 873394                 | <b>GASKET FOAM LIGHT</b>                    |
| 25   | 820733                 | <b>SINGLE LED HOUSING</b>                   |
| 26   | 820732P                | <b>MOD LAMP AS SGL LED ROHS</b>             |
| 27   | 875318                 | <b>COVER LAMP PC 42</b>                     |
| 28   | 837096                 | <b>TRACK FLAPPER CABINET</b>                |



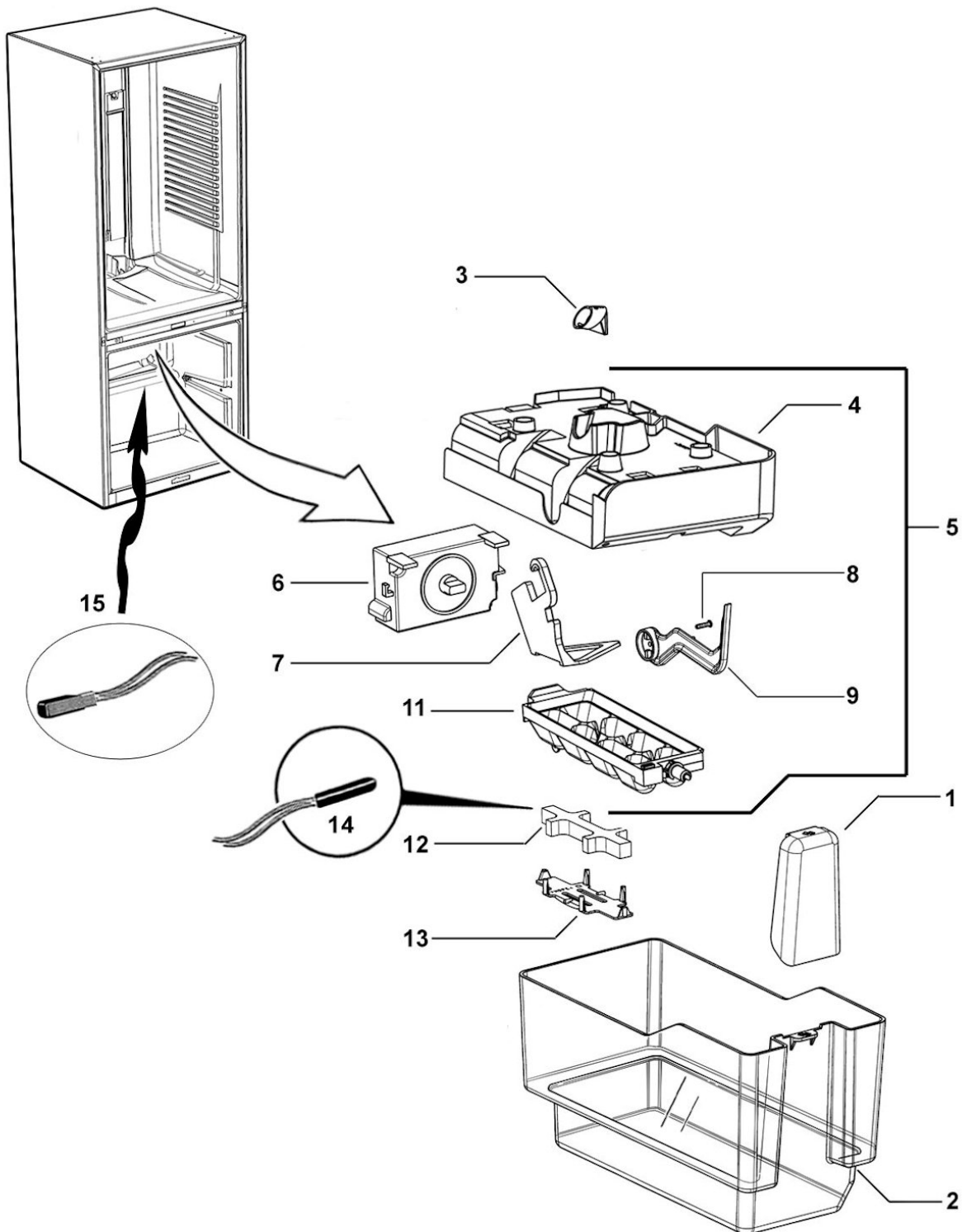
| REF.      | PART NUMBER            | PART DESCRIPTION                                |
|-----------|------------------------|---|
| <b>29</b> | 837140P                | <b>SCREW 8X22 WAFER PH SS (PKT 10)</b>          |
| <b>30</b> | 836700                 | <b>SLIDE 305 RH ASSEMBLY RC</b>                 |
|           | <i>Includes 836520</i> | <i>CLIP SLIDE</i>                               |
|           | 836701                 | <b>SLIDE 305 LH ASSEMBLY</b>                    |
|           | <i>Includes 836520</i> | <i>CLIP SLIDE</i>                               |
| <b>31</b> | 836520P                | <b>CLIP SLIDE (PKT 2)</b>                       |
| <b>32</b> | 836996                 | <b>RETAINER SLIDE PC 900 RH</b>                 |
|           | 836997                 | <b>RETAINER SLIDE PC 900 LH</b>                 |
| <b>33</b> | 836998                 | <b>RETAINER SLIDE FC 900 RH</b>                 |
|           | 836999                 | <b>RETAINER SLIDE FC 900 LH</b>                 |
| <b>34</b> | 836702                 | <b>SLIDE 355 RH ASSY RC</b>                     |
|           | <i>Includes 836520</i> | <i>CLIP SLIDE</i>                               |
|           | 836703                 | <b>SLIDE 355 LH ASSY RC</b>                     |
|           | <i>Includes 836520</i> | <i>CLIP SLIDE</i>                               |
| <b>35</b> | 838200                 | <b>SLIDE DRAWER FC MAIN RH</b>                  |
|           | 838199                 | <b>SLIDE DRAWER FC MAIN LH</b>                  |
| <b>36</b> | 837047                 | <b>TRACK ANTI RACKING FC</b>                    |
| <b>37</b> | 884011                 | <b>COVER REED SWITCH ST4 SILVER</b>             |
| <b>38</b> | 814443P                | <b>SWITCH REED FIELD FIX KIT ST4</b>            |
|           | <i>Includes</i>        | <i>HEATSHRINK 1/8" MW ADHESIVE LINED</i>        |
| <b>39</b> | 817834P                | <b>SCREW 8X16 HEX WA PH TV MGPH RC (PKT 10)</b> |
| <b>40</b> | 818843                 | <b>RETAINER WHEEL STEEL</b>                     |
| <b>41</b> | 315090P                | <b>KIT WHEEL BRACKET CLIP</b>                   |
|           | <i>Includes</i>        | <i>PIN ROLLER PLATED</i>                        |
|           | <i>Includes</i>        | <i>ROLLER FOOT FRONT</i>                        |
|           | <i>Includes</i>        | <i>CLIP WHEEL BRACKET</i>                       |
| <b>42</b> | 813481                 | <b>BOLT BLIND END HINGE BRACKET</b>             |
| <b>43</b> | 818535                 | <b>FOOT LEVELLING ASSEMBLY RC</b>               |
|           | <i>Includes</i>        | <i>WHEEL LEVELLING FOOT ASSY</i>                |
|           | <i>Includes</i>        | <i>BASE LEVELLING FOOT</i>                      |



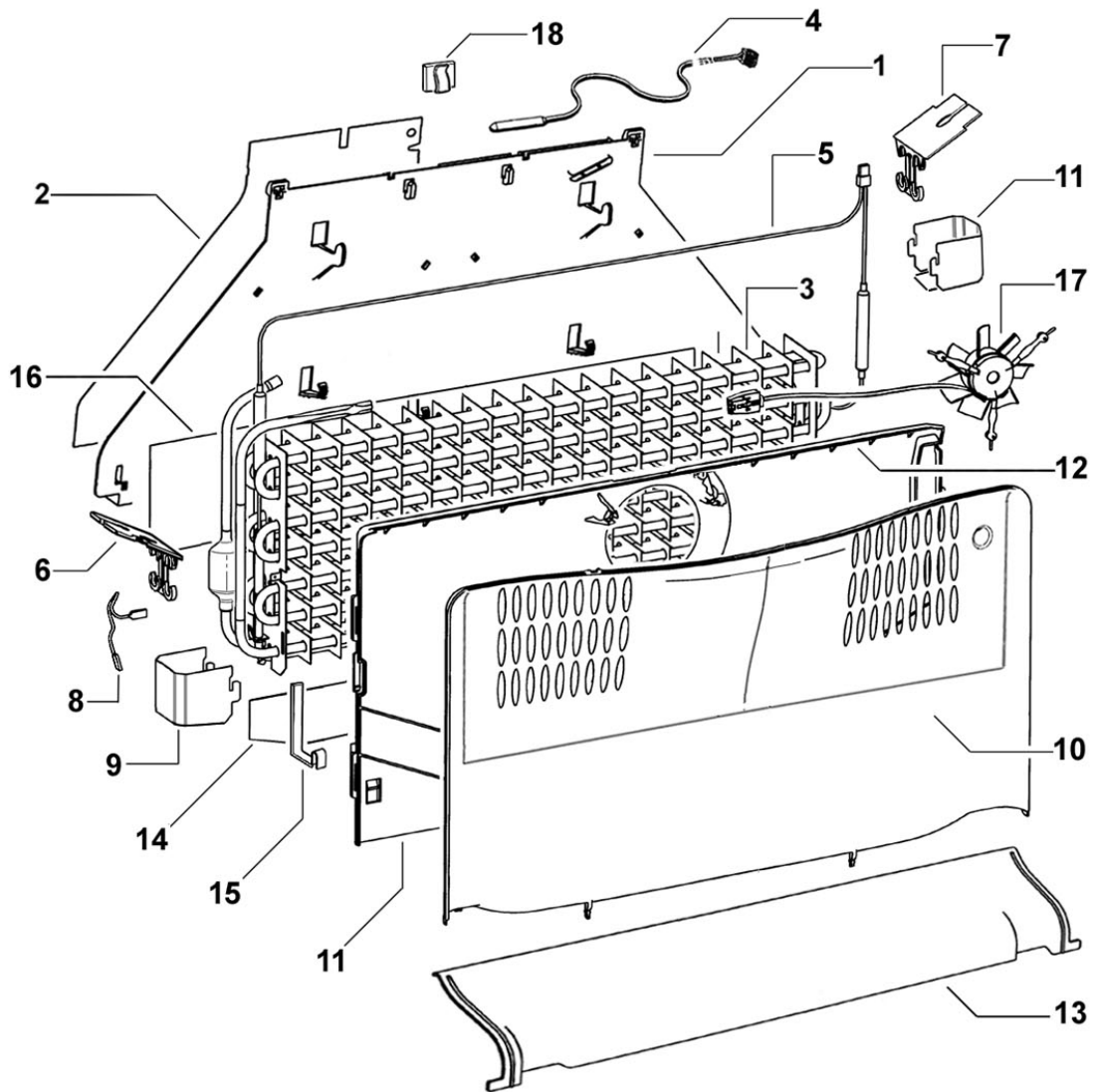


| REF.      | PART NUMBER            | PART DESCRIPTION                        |
|-----------|------------------------|---|
| <b>7</b>  | <b>837117P</b>         | <b>SHELF GLASS PC 900 ASSY SC (2)</b>   |
|           | <i>Includes 836569</i> | <i>PLUG STIFFENER SHELF RH</i>          |
|           | <i>Includes 836570</i> | <i>PLUG STIFFENER SHELF LH</i>          |
|           | <i>Includes 836567</i> | <i>PLUG TRIM SHELF RH</i>               |
|           | <i>Includes 836568</i> | <i>PLUG TRIM SHELF LH</i>               |
|           | <i>Includes</i>        | <i>TRIM SHELF PC 900 SC</i>             |
|           | <i>Includes</i>        | <i>STIFFENER SHELF PC 900 SC</i>        |
| <b>8</b>  | <b>836978</b>          | <b>LID HUMIDITY CONTROL 900</b>         |
| <b>9</b>  | <b>837116P</b>         | <b>SHELF GLASS HCL 900B ASSY SC (1)</b> |
|           | <i>Includes 836569</i> | <i>PLUG STIFFENER SHELF RH</i>          |
|           | <i>Includes 836570</i> | <i>PLUG STIFFENER SHELF LH</i>          |
|           | <i>Includes 836567</i> | <i>PLUG TRIM SHELF RH</i>               |
|           | <i>Includes 836568</i> | <i>PLUG TRIM SHELF LH</i>               |
|           | <i>Includes 837104</i> | <i>RETAINER HCL FRONT 900 464MM</i>     |
|           | <i>Includes</i>        | <i>TRIM SHELF HCL 900 SC</i>            |
|           | <i>Includes</i>        | <i>STIFFENER SHELF PC 900 SC</i>        |
|           | <i>Includes 881268</i> | <i>BRACKET HCL SUPPORT B GL SH (2)</i>  |
|           | <i>Includes 836978</i> | <i>LID HUMIDITY CONTROL 900</i>         |
|           | <i>Includes 836631</i> | <i>SLIDE CONTROL HUMIDITY RH</i>        |
|           | <i>Includes 836633</i> | <i>SLIDE CONTROL HUMIDITY LH</i>        |
|           | <i>Includes 836632</i> | <i>GUIDE CONTROL HUMIDITY RH</i>        |
|           | <i>Includes 836634</i> | <i>GUIDE CONTROL HUMIDITY LH</i>        |
| <b>10</b> | <b>837104</b>          | <b>RETAINER HCL FRONT 900 464MM</b>     |
| <b>11</b> | <b>836631</b>          | <b>SLIDE CONTROL HUMIDITY RH</b>        |
|           | <b>836633</b>          | <b>SLIDE CONTROL HUMIDITY LH</b>        |
| <b>12</b> | <b>836632</b>          | <b>GUIDE CONTROL HUMIDITY RH</b>        |
|           | <b>836634</b>          | <b>GUIDE CONTROL HUMIDITY LH</b>        |
| <b>13</b> | <b>881268</b>          | <b>BRACKET HCL SUPPORT B GL SH</b>      |
| <b>22</b> | <b>836971</b>          | <b>BIN MEDIUM 900</b>                   |
| <b>24</b> | <b>836973</b>          | <b>TRAY SLIDING 900</b>                 |
| <b>25</b> | <b>836970</b>          | <b>BIN SMALL 900</b>                    |
| <b>26</b> | <b>836995</b>          | <b>BIN FC 900</b>                       |
| <b>27</b> | <b>819416</b>          | <b>HOOK TRAY TO BIN</b>                 |
| <b>28</b> | <b>837040</b>          | <b>RETAINER SLIDE TRAY</b>              |
| <b>29</b> | <b>860593</b>          | <b>BOTTLE HOLDER SINGLE</b>             |

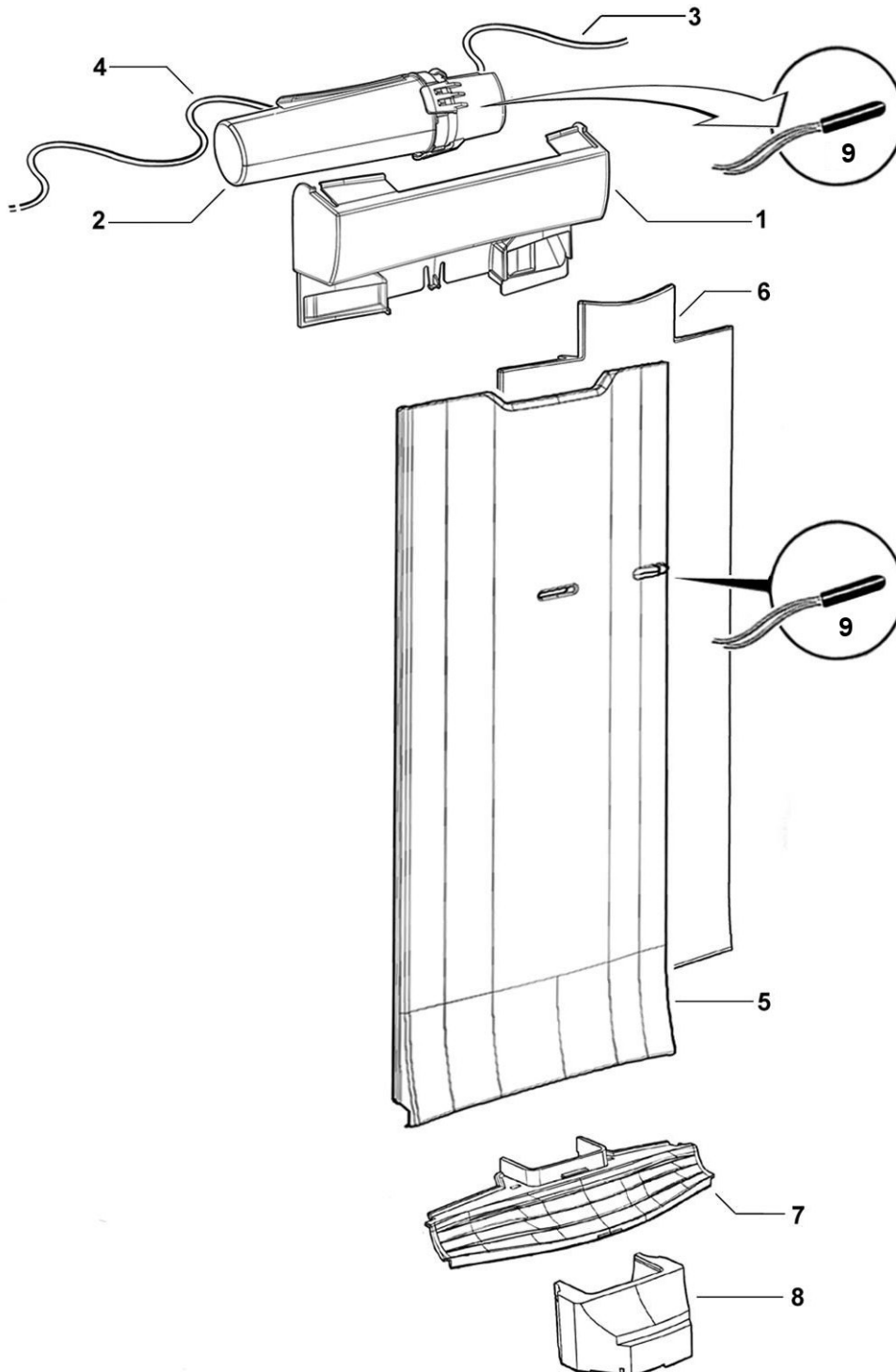




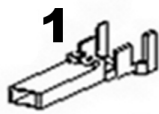
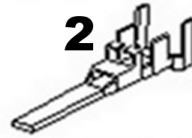
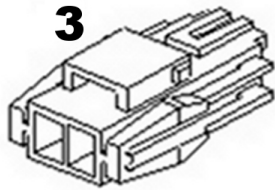
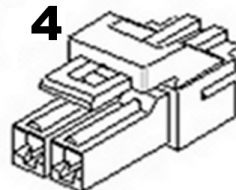
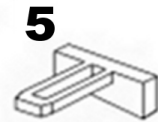
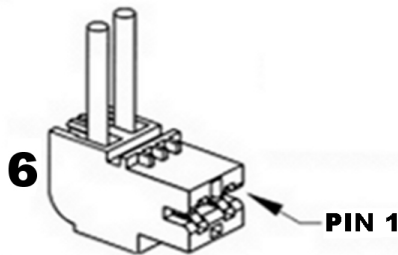
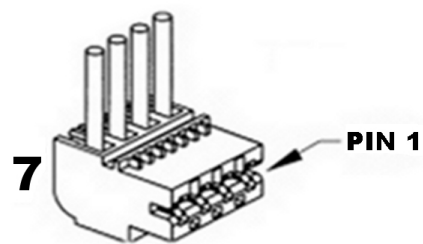
| REF. | PART NUMBER            | PART DESCRIPTION                   |
|------|------------------------|------------------------------------|
| 1    | 836929                 | SCOOP ICE                          |
| 2    | 837030                 | BIN ICE 900                        |
| 3    | 836936                 | SPIGOT FILL ICE MAKER              |
| 4    | 836915                 | HOUSING ICE MAKER                  |
| 5    | 820833P                | ICEMAKER ASSY LARGE                |
|      | <i>Includes 820841</i> | <i>ICE TRAY AUTO LARGE</i>         |
|      | <i>Includes 836910</i> | <i>LEVER GEAR BOX ICE</i>          |
|      | <i>Includes 836915</i> | <i>HOUSING ICE MAKER</i>           |
|      | <i>Includes 836934</i> | <i>GEARBOX ICE MAKER</i>           |
|      | <i>Includes 836948</i> | <i>SCREW 6X12 PAN PH SS</i>        |
| 6    | 836934                 | GEARBOX ICE MAKER                  |
| 7    | 836912                 | LEVER BIN DETECT                   |
| 8    | 836948P                | SCREW 6X1/2 PAN PH SS (PKT 10)     |
| 9    | 836910                 | LEVER GEAR BOX ICE                 |
| 11   | 820841                 | ICE TRAY AUTO LARGE                |
| 12   | 836909                 | FOAM CLIP SENSOR                   |
| 13   | 837180                 | CLIP SENSOR ICE TRAY               |
| 14   | 321107                 | ICE MAKER SENSOR LEAD WIRE KIT     |
|      | <i>Includes</i>        | <i>SENSOR THERMISTOR ICE MAKER</i> |
|      | <i>Includes</i>        | <i>CONNECTOR IDC UY2 – 3MS</i>     |
| 15   | 821689P                | ICE FILL TUBE HEATER KIT MK2       |



| REF.      | PART NUMBER            | PART DESCRIPTION                       |
|-----------|------------------------|--|
| <b>1</b>  | <b>814475</b>          | <b>CHASSIS EVAP 790B</b>               |
| <b>2</b>  | <b>884315</b>          | <b>DEFLECTOR HEAT 790B</b>             |
| <b>3</b>  | <b>814826P</b>         | <b>EVAP ASSY 790B 120V</b>             |
|           | <i>Includes</i>        | <i>EVAPORATOR FINNED 790</i>           |
|           | <i>Includes 818980</i> | <i>HEATER DEFROST 230V 790</i>         |
|           | <i>Includes 813992</i> | <i>CLIP ACTIVE SMART BAFFLE</i>        |
|           | <i>Includes 820604</i> | <i>CLIP EVAP BAFFLE</i>                |
|           | <i>Includes 814475</i> | <i>CHASSIS EVAP 790B</i>               |
|           | <i>Includes 814713</i> | <i>SHIELD EVAP CHASSIS 790B</i>        |
|           | <i>Includes 814708</i> | <i>SHIELD HEATER LEFT HAND</i>         |
|           | <i>Includes 814709</i> | <i>SHIELD HEATER RIGHT HAND</i>        |
|           | <i>Includes 884315</i> | <i>DEFLECTOR HEAT 790B</i>             |
| <b>4</b>  | <b>855203P</b>         | <b>SENSOR KIT ASSY ACTV SM</b>         |
|           | <i>Includes</i>        | <i>HEATSHRINK 25MM</i>                 |
|           | <i>Includes</i>        | <i>HARNESS SENSOR PC</i>               |
|           | <i>Includes</i>        | <i>CONNECTOR BUTT (2)</i>              |
|           | <i>Includes</i>        | <i>SHEET INSTRUCTN BUTT CONNECTORS</i> |
| <b>5</b>  | <i>818980P</i>         | <i>KIT HTR DEF PUR 120V 790</i>        |
| <b>NI</b> | <b>821745</b>          | <b>COVER PLUG TYCO</b>                 |
| <b>6</b>  | <b>813992</b>          | <b>CLIP ACTIVE SMART BAFFLE</b>        |
| <b>7</b>  | <b>820604</b>          | <b>CLIP EVAP BAFFLE</b>                |
| <b>8</b>  | <b>814460</b>          | <b>HARNESS EARTH 100MM</b>             |
| <b>9</b>  | <b>814708</b>          | <b>SHIELD HEATER LEFT HAND</b>         |
| <b>10</b> | <b>873395</b>          | <b>COVER FAN FC FRONT E790B</b>        |
| <b>11</b> | <b>814709</b>          | <b>SHIELD HEATER RIGHT HAND</b>        |
| <b>12</b> | <b>306096P</b>         | <b>FAN FC KIT 790 SERIES A to D</b>    |
|           | <i>Includes 880279</i> | <i>SHIELD HEATER FC COVER 790</i>      |
|           | <i>Includes</i>        | <i>COVER FAN FC REAR 790</i>           |
|           | <i>Includes</i>        | <i>CONNECTOR IDC UP2 (2)</i>           |
|           | <i>Includes</i>        | <i>LABEL WARNING 12 VOLT DC</i>        |
|           | <i>Includes</i>        | <i>FAN DC SUSPENDEED FC ASSY</i>       |
| <b>13</b> | <b>836594</b>          | <b>DUCT RETURN AIR FC 680</b>          |
| <b>14</b> | <b>883783</b>          | <b>SHIELD COVER 790B</b>               |
| <b>15</b> | <b>814653</b>          | <b>CLIP DEFOST HEATER B EVAP</b>       |
| <b>16</b> | <b>814713</b>          | <b>SHIELD EVAP CHASSIS</b>             |
| <b>17</b> | <b>306096P</b>         | <b>FAN FC KIT 790 SERIES A to D</b>    |
|           | <i>Includes 880279</i> | <i>SHIELD HEATER FC COVER 790</i>      |
|           | <i>Includes</i>        | <i>COVER FAN FC REAR 790</i>           |
|           | <i>Includes</i>        | <i>CONNECTOR IDC UP2 (2)</i>           |
|           | <i>Includes</i>        | <i>LABEL WARNING 12 VOLT DC</i>        |
|           | <i>Includes</i>        | <i>FAN DC SUSPENDEED FC ASSY</i>       |
| <b>18</b> | <b>900236</b>          | <b>CLIP ACC-3N</b>                     |



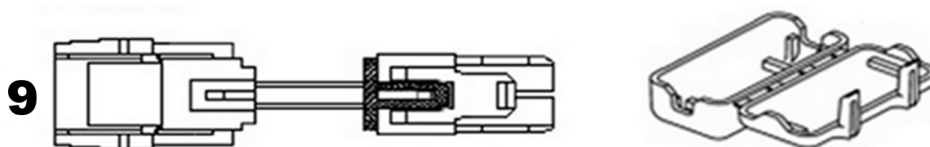
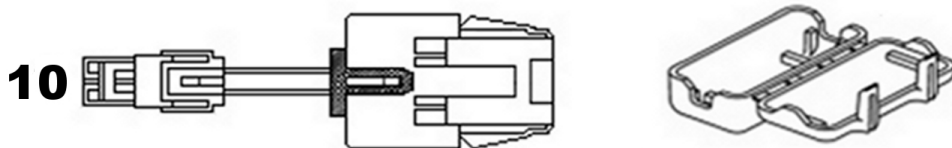
| REF.     | PART NUMBER     | PART DESCRIPTION                      |
|----------|-----------------|---------------------------------------|
| <b>1</b> | <b>836849</b>   | <b>COVER DUCT TOP WATER</b>           |
| <b>2</b> | <b>836846</b>   | <b>TANK DISPENSER ASSEMBLY</b>        |
|          | <i>Includes</i> | <i>CAP TANK DISPENSER</i>             |
|          | <i>Includes</i> | <i>BASE TANK DISPENSER</i>            |
|          | <i>Includes</i> | <i>BAFFLE TANK DISPENSER</i>          |
| <b>3</b> | <b>836857</b>   | <b>TUBE FILTER WATER 1/4 OD 4M WH</b> |
| <b>4</b> | <b>837139</b>   | <b>TUBE WATER TANK INLET 900</b>      |
| <b>5</b> | <b>837020</b>   | <b>COVER DUCT PC 900B</b>             |
| <b>6</b> | <b>837021</b>   | <b>INSULATION COVER DUCT 900B</b>     |
| <b>7</b> | <b>813287</b>   | <b>GRILLE PC RETURN AIR B MODEL</b>   |
| <b>8</b> | <b>872823</b>   | <b>INSULATION INSERT PID</b>          |
| <b>9</b> | <b>855203P</b>  | <b>SENSOR KIT ASSY ACTV SM</b>        |
|          | <i>Includes</i> | <i>HARNESS SENSOR THERMISTOR PC</i>   |
|          | <i>Includes</i> | <i>CONNECTOR BUTT (2)</i>             |

1  
JST SOCKET TERMINAL2  
JST PIN TERMINAL3  
JST SOCKET4  
JST PLUG5  
JST RETAINER6  
RAST CONNECTOR7  
RAST CONNECTOR

**NOTE THAT IN THE PART NAMES OF THESE CONNECTORS, THE -02- REFERS TO IT BEING A 2 WAY CONNECTOR, AND THE -AB01-(FOR EXAMPLE) REFERS TO THE CODING OF THE CONNECTOR.**

8  
RAST CONNECTOR

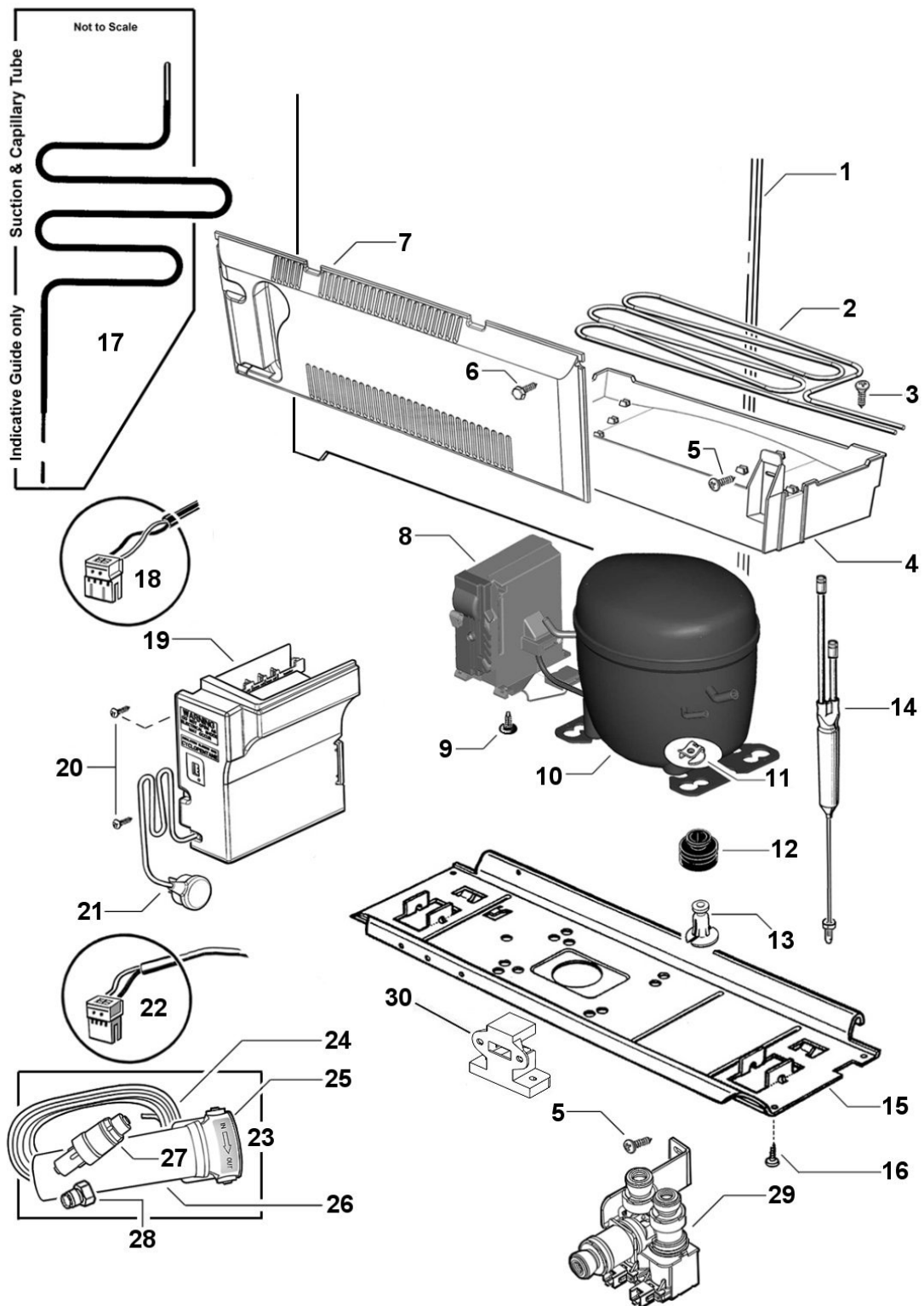
**NOTE: TO MINIMISE THE NUMBER OF SPARE PARTS THAT NEED TO BE CARRIED, THESE CODED CONNECTORS ARE TO BE REPLACED WITH THEIR UNCODED EQUIVALENTS FOR THE 3, 5 AND 6 WAY CONNECTORS USED ON STAGE 4 CABINETS.**

9  
HARNESS ADAPTOR - JST REC TO MOLEX PLUG10  
HARNESS ADAPTOR - JST PLUG TO MOLEX REC

| REF.                   | PART NUMBER             | PART DESCRIPTION             |                               |
|------------------------|-------------------------|------------------------------|-------------------------------|
| <b>1</b>               | 819607P                 | TERMINAL SYF-01T PKT 10      | 26/20 AWG                     |
|                        | 819608P                 | TERMINAL SYF-41T PKT 10      | 20/16 AWG                     |
| <b>2</b>               | 819609P                 | PIN/TERM SYM-01T PKT 10      | 26/20 AWG                     |
|                        | 819610P                 | PIN/TERM SYM-41T PKT 10      | 20/16 AWG                     |
| <b>3</b>               | 819615                  | JST SOCKET 2PIN YLR-02V      |                               |
|                        | 819616                  | JST SOCKET 3PIN YLR-03V      |                               |
|                        | 819617                  | JST SOCKET 4PIN YLR-04V      |                               |
|                        | 819618                  | JST SOCKET 6PIN YLR-06VF     |                               |
|                        | 819619                  | JST SOCKET 8 PIN YLR-08V     |                               |
| <b>4</b>               | 819611                  | JST PLUG 2PIN YLP-02V        |                               |
|                        | 819612                  | JST PLUG 4PIN YLP-04V        |                               |
|                        | 819613                  | JST PLUG 6PIN YLP-06V        |                               |
|                        | 819614                  | JST PLUG 8PIN YLP-08V        |                               |
| <b>5</b>               | 819620                  | RETAINER 2 WAY YLS-02V       |                               |
|                        | 819621                  | RETAINER 3 WAY YLS-03V       |                               |
| <b>6</b>               | 881588                  | CONNECTOR RAST 9290-02-AB01  | MAINS CORD                    |
|                        | 881589                  | CONNECTOR RAST 9290-02-BA01  | DEFROST HEATER                |
|                        | 881590                  | CONNECTOR RAST 9290-02-EE01  | RUN CAPACITOR                 |
| <b>7</b>               | 881591                  | CONNECTOR RAST 9290-04-EF02  | COMPRESSOR CABLE              |
| <b>8</b>               | 873251                  | CONNECTOR RAST 7234-003-500  |                               |
|                        | 873250                  | CONNECTOR RAST 7234-004-500  |                               |
|                        | 881135                  | CONNECTOR RAST 7234-005-500  |                               |
|                        | 873247                  | CONNECTOR RAST 7234-006-500  |                               |
|                        | 873279                  | CONNECTOR RAST 7234-008-500  |                               |
|                        | 873248                  | CONNECTOR RAST 7234-010-500  |                               |
|                        | 873243                  | CONNECTOR RAST 7234-012-500  |                               |
| <b>9</b>               | 881136                  | CONNECTOR RAST 7234-014-500  |                               |
|                        | 881137                  | CONNECTOR RAST 7234-017-502  |                               |
|                        | 820687P                 | ADAPTOR JST REC TO MOLEX KIT |                               |
|                        | <i>Includes 884412</i>  | <i>COVER PLUG MOLEX</i>      |                               |
|                        | <b>10</b>               | 820688P                      | ADAPTOR JST PLUG TO MOLEX KIT |
| <i>Includes 884412</i> | <i>COVER PLUG MOLEX</i> |                              |                               |

**NOTE: THE NUMBERS IN THE DESCRIPTION OF THE RAST CONNECTOR DENOTE THE NUMBER OF CONNECTIONS  
EXAMPLE: 7234-017-502 =17 WAY CONNECTOR**





| REF. | PART NUMBER            | PART DESCRIPTION                         |
|------|------------------------|--|
| 1    | 374047P                | PANEL BACK & COND 900 SHORT AS           |
| 2    | 819598                 | TUBE EVAP TRAY FORMED H/SHRINK           |
| 3    | 815236P                | SCREW #12X1/2 CSK PH TV (PKT 10)         |
| 4    | 820734                 | TRAY EVAP AS                             |
| 5    | 817831P                | SCREW 8X16 SP PAN NIB ST (PKT10)         |
| 6    | 817834P                | SCREW #8X16 HEX (PKT 10)                 |
| 7    | 837155                 | COVER COMPRESSOR 900 USA                 |
| 8    | 207214                 | INVERTER COMPRESSOR 115V VCC             |
| 9    | 813271                 | CLIP INVERTER MOUNTING                   |
| 10   | 884259P                | COMPRESSOR EMBRACO VEGY 6H VCC           |
|      | <i>Includes 813271</i> | <i>CLIP INVERTER MOUNTING (2)</i>        |
|      | <i>Includes 813683</i> | <i>SCREW INVERTER</i>                    |
|      | <i>Includes 813682</i> | <i>CAP CABLE INVERTER &amp; SCREW</i>    |
|      | <i>Includes 207214</i> | <i>INVERTOR COMPRESSOR 115V VCC3 X11</i> |
| 11   | 855270P                | CLIP FOOT COMPRESSOR (PKT 4)             |
| 12   | 881443P                | GROMMET COMPRESSOR MOUNTING 33MM (PKT 4) |
| 13   | 881444                 | POST COMPRESSOR MNTG 33MM                |
| 14   | 814843P                | FILTER LONG TAIL XH9 12GRM               |
| 15   | 837028                 | TRAY COMP MOUNTING 900                   |
| 16   | 817829P                | SCREW #8X16 SP PAN NIB ST TV (PKT 10)    |
| 17   | 817864                 | SUCTION & CAPILLARY ASSY 790B            |
| 18   | 884242                 | HARNESS VCC SIGNAL                       |
| 19   | 837766P                | MOD CNTRL GLTH UT 120V SVC               |
| 20   | 817829P                | SCREW #8X16 SP PAN NIB ST TV (PKT 10)    |
| 21   | 837802                 | CORD SET USA MODEL                       |
| 22   | 884243                 | HARNESS VCC POWER                        |
| 23   | 821780                 | KIT FILTER WATER 600KPA 85PSI            |
|      | <i>Includes 836848</i> | <i>CARTRIDGE FILTER WATER</i>            |
|      | <i>Includes 821756</i> | <i>VALVE PRESSURE LIMIT 600KPA 85</i>    |
|      | <i>Includes 836855</i> | <i>HEAD FILTER WATER</i>                 |
|      | <i>Includes 836857</i> | <i>TUBE FILTER WATER 1/4 OD 4M WH</i>    |
|      | <i>Includes 312198</i> | <i>ADAPTOR TANK 1/4 OD 7/16 UNS</i>      |
| 24   | 836857                 | TUBE FILTER WATER 1/4 OD 4M WH           |
| 25   | 836855                 | HEAD FILTER WATER                        |
| 26   | 836848                 | CARTRIDGE FILTER WATER                   |
| 27   | 821756                 | VALVE PRESSURE LIMIT 600KPA 85           |
| 28   | 312198                 | ADAPTOR TANK 1/4 OD 7/16 UNS             |
| 29   | 820718                 | VALVE ICE WATER 16 WATT                  |
| 30   | 880911                 | BRACKET STABILITY ASSY                   |

*Fisher & Paykel*  
appliances

customer care™

[www.fisherpaykel.com](http://www.fisherpaykel.com)

*Fisher & Paykel*

Copyright © Fisher & Paykel 2013. All rights reserved.  
The product specifications in this manual apply to the specific model described at the date of issue. Under our policy of continuous product improvement, these specifications may change at any time. Only use this manual if the product code on the front matches the product code on the serial label of the product.